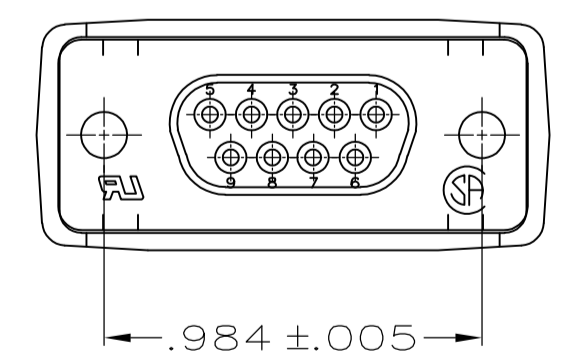
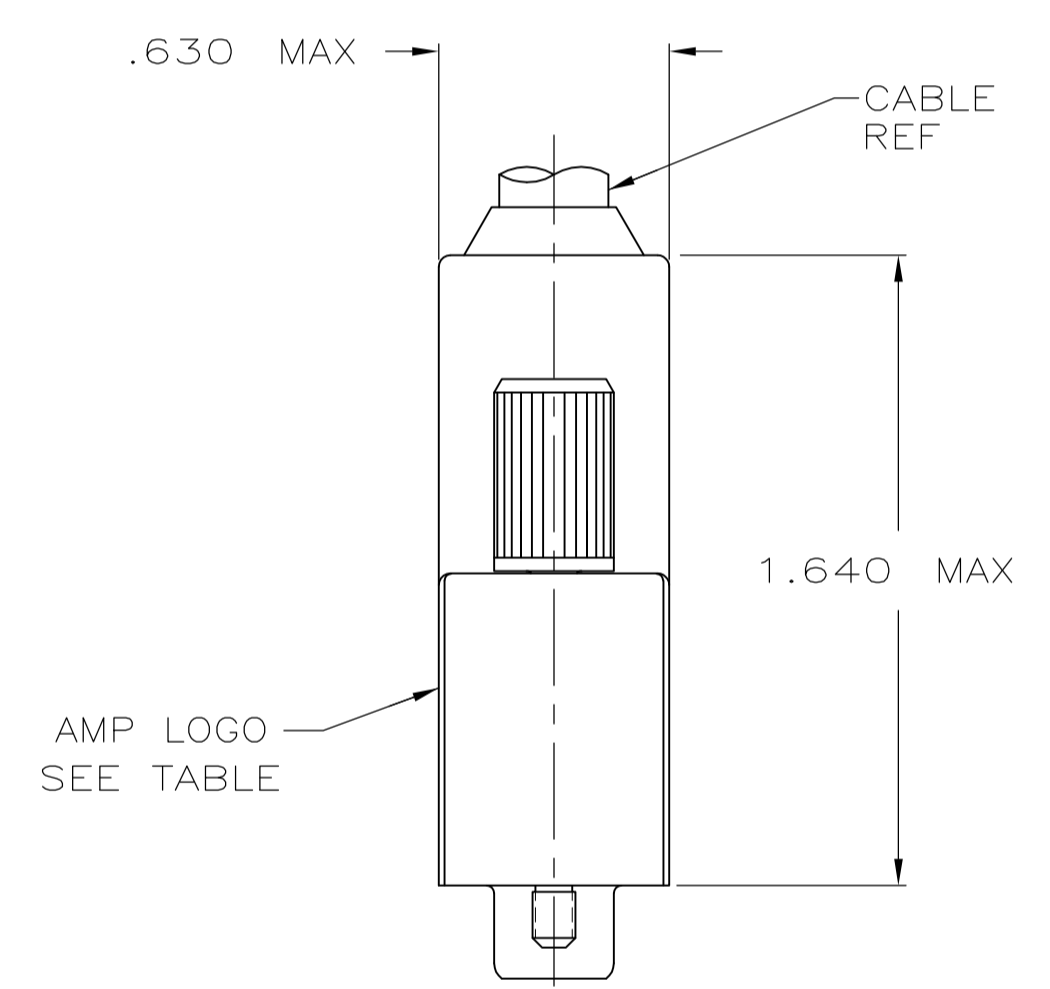
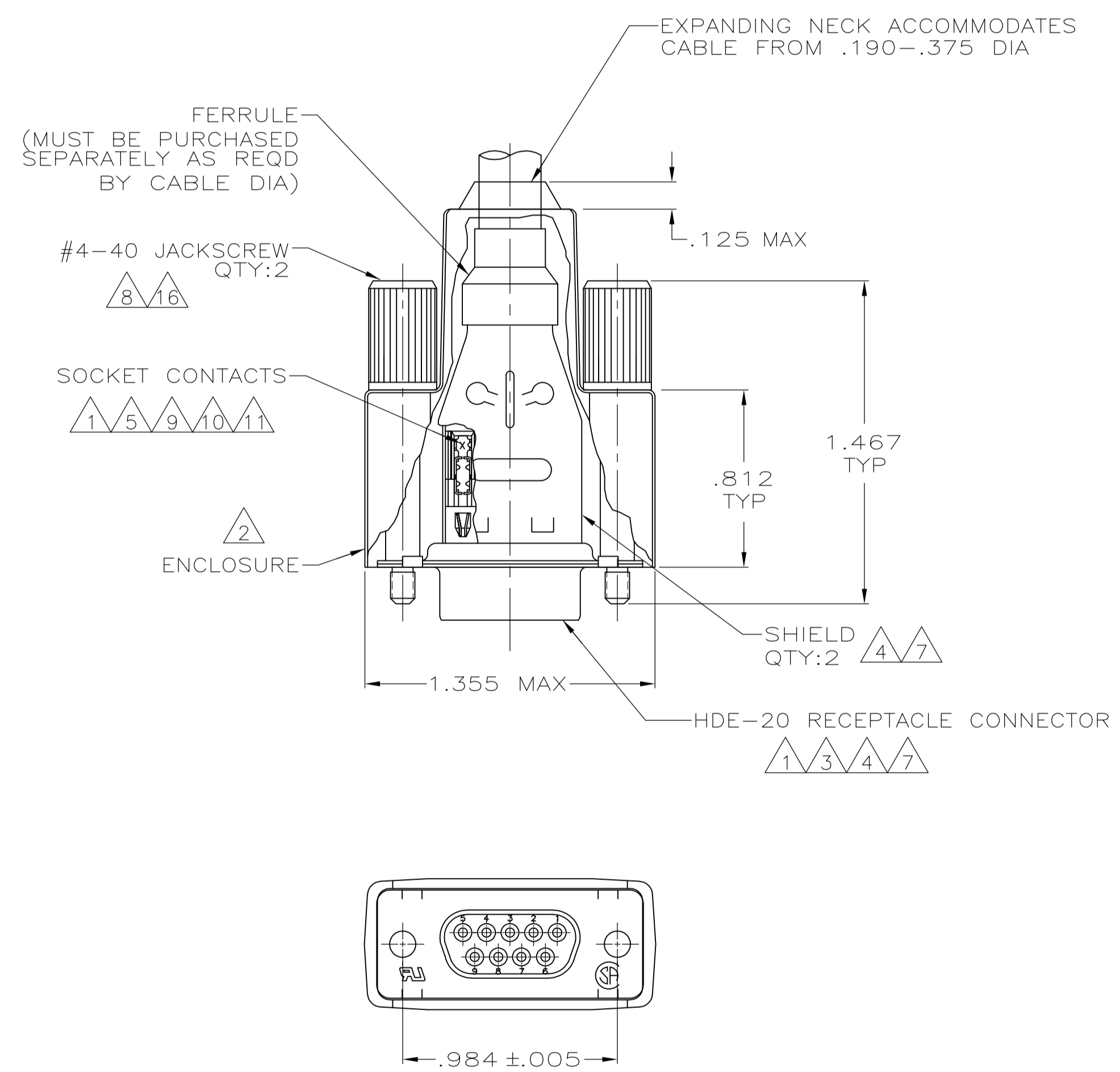


LOC		DIST		REVISIONS			
P	LTR	DESCRIPTION	DATE	DN	APVD		
U		REVISED PER ECO-13-017159	19DEC2013	KH	SB		



- 1 RECEPTACLE CONNECTOR FULLY LOADED WITH CONTACTS. ALL OTHER PARTS ARE SHIPPED UNASSEMBLED. EACH PART INDIVIDUALLY BULK PACKED.
- 2 FLAME RETARDANT 94V-0 RATED, POLYOLEFIN OR PVC, BLACK.
- 3 FLAME RETARDANT 94V-0 RATED, GLASS-FILLED, NYLON OR POLYESTER, BLACK.
- 4 STEEL PER ASTM A109.
- 5 PHOSPHOR BRONZE PER QQ-B-750.
- 6 GOLD PLATING PER MIL-G-45204, NICKEL PLATING PER QQ-N-290, TIN PLATING PER MIL-T-10727, ZINC PLATING PER B633, TYPE II, CLASS SCI, BLACK CHROMATE.
- 7 TIN PLATED.
- 8 ZINC NICKEL, TRIVALENT BLACK.
- 9 PLATED WITH GOLD FLASH ON MATING END FOR LENGTH OF .100 MIN, .000100-.000200 TIN OR TIN LEAD ON TERMINATION END, ALL OVER .000030 MIN NICKEL ON ENTIRE CONTACT.
- 10 PLATED WITH .000030 MIN GOLD FOR LENGTH OF .100 MIN FROM MATING END, WITH POINT OF MEASUREMENT .050 FROM MATING END OF CONTACT, .000100-.000200 TIN OR TIN LEAD ON TERMINATION END, ALL OVER .000030 MIN NICKEL ON ENTIRE CONTACT.
- 11 NUMBER ON CONTACT INDICATES WIRE RANGE.
- 12 OBSOLETE PART NUMBER.
- 13 SEE RESTRICTED CUSTOMER DRAWING 1-747943-3.
- 14 PLATED WITH .000030 MIN GOLD FOR A LENGTH OF .100 MIN FROM MATING END, .000100-.000200 TIN ON TERMINATION END, ALL OVER .000050 MIN NICKEL UNDERPLATE ON ENTIRE CONTACT.
- 15 PLATED WITH GOLD FLASH FOR A LENGTH OF .100 MIN FROM MATING END, .000100-.000200 TIN ON TERMINATION END, ALL OVER .000030 MIN NICKEL UNDERPLATE ON ENTIRE CONTACT.
- 16 CARBON STEEL, C1022.

CONTACT FINISH	LOGO	WIRE RANGE	PART NUMBER
			9-747943-1
15	YES	2 22-26	1-747943-7
14	YES	2 22-26	1-747943-6
14	YES	1 26-30	1-747943-5
			12 13
9	NO	3 20-22	1-747943-2
	NO	2 22-26	1-747943-1
	NO	1 26-30	1-747943-0
10	NO	3 20-22	747943-9
	NO	2 22-26	747943-8
	NO	1 26-30	747943-7
9	YES	3 20-22	747943-6
	YES	2 22-26	747943-5
	YES	1 26-30	747943-4
10	YES	3 20-22	747943-3
	YES	2 22-26	747943-2
	YES	1 26-30	747943-1

THIS DRAWING IS A CONTROLLED DOCUMENT.

APPROVED: L. VARELA - DOCKS 11-17-04
 CHK: J. GERACE 11-17-04
 APD: M. WALMSLEY 11-17-04
 NAME: M. WALMSLEY

TE Connectivity

SHIELDING ENCLOSURE KIT, RCPT, SIZE 1, 9 POSN, AMPLIMITE HDE-20

PRODUCT SPEC: 10B-40011 & 10B-40030
 APPLICATION SPEC: 114-40002
 SIZE: A1
 CAGE CODE: 00779
 DRAWING NO: 747943
 WEIGHT: -
 CUSTOMER DRAWING

DIMENSIONS: INCHES
 0 PLC ± -
 1 PLC ± -
 2 PLC ± -
 3 PLC ± .020
 4 PLC ± -
 ANGLES ± -

TOLERANCES UNLESS OTHERWISE SPECIFIED:
 0 PLC ± -
 1 PLC ± -
 2 PLC ± -
 3 PLC ± .020
 4 PLC ± -
 ANGLES ± -

MATERIAL: 3 4 5 6
 FINISH: 6 7 8

SCALE: 1:1 SHEET 1 OF 1 REV U